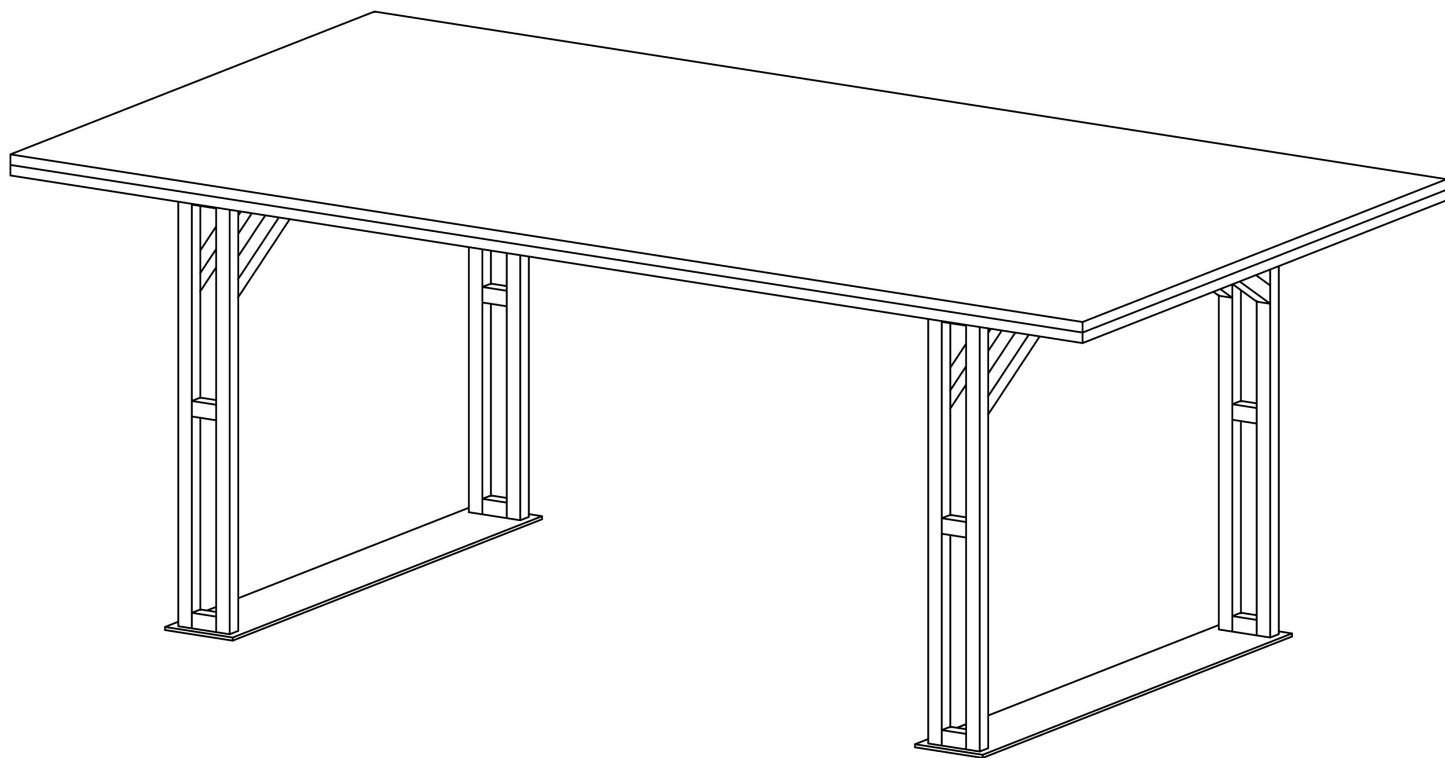
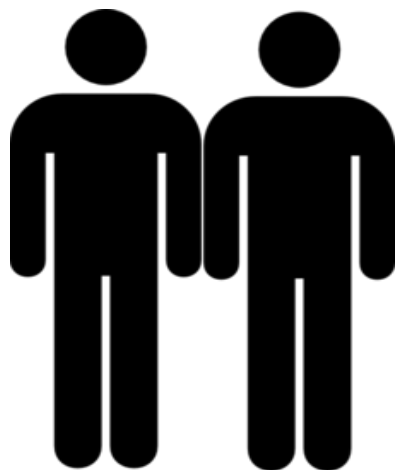


# ASSEMBLY INSTRUCTIONS



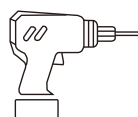
**DANISH DINING TABLE**

**PRODUCT CODE: HOTAB00131**



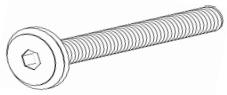
**2 PEOPLE RECOMMENDED**

**Requirement for Assembly**



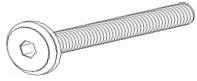
## HARDWARE INCLUDED

## ASSEMBLED IMAGE



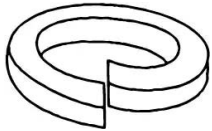
Allen Bolt M8X35mm

14 pcs



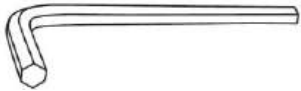
Allen Bolt M8X20mm

8 pcs



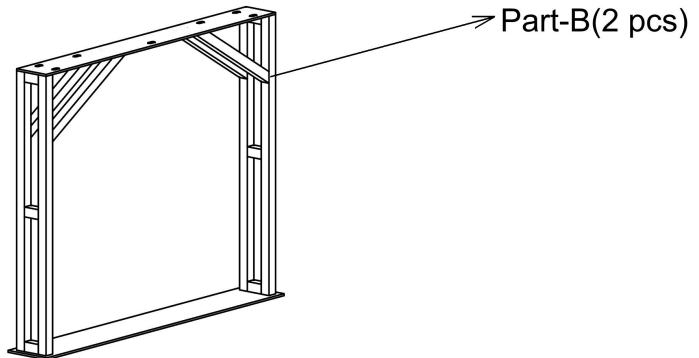
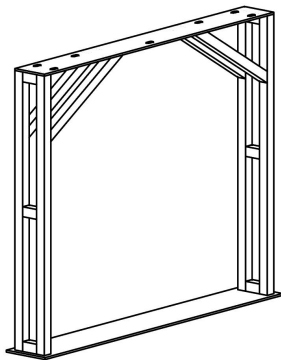
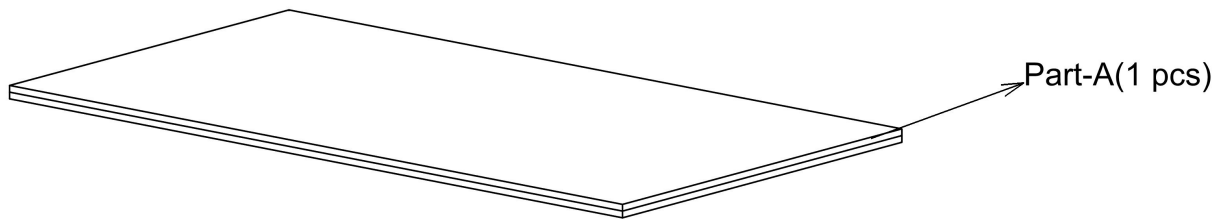
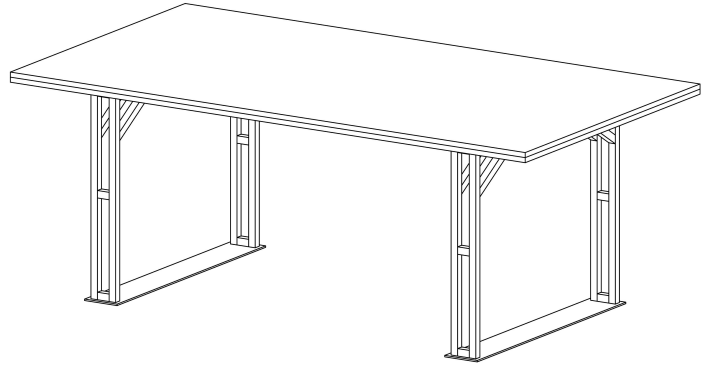
Spring washer

22 pcs

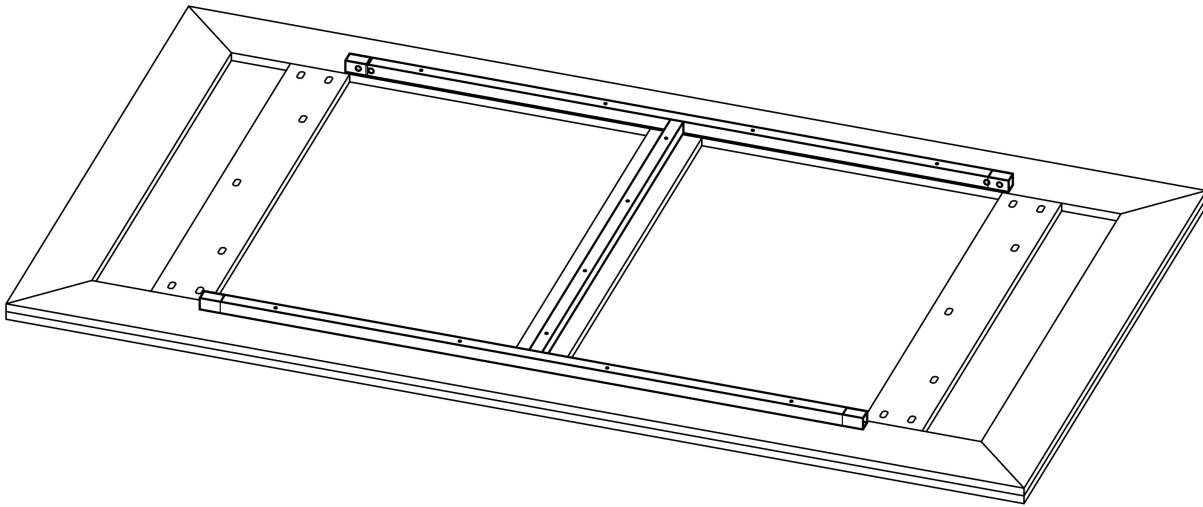


Allen key No.5

1 pcs

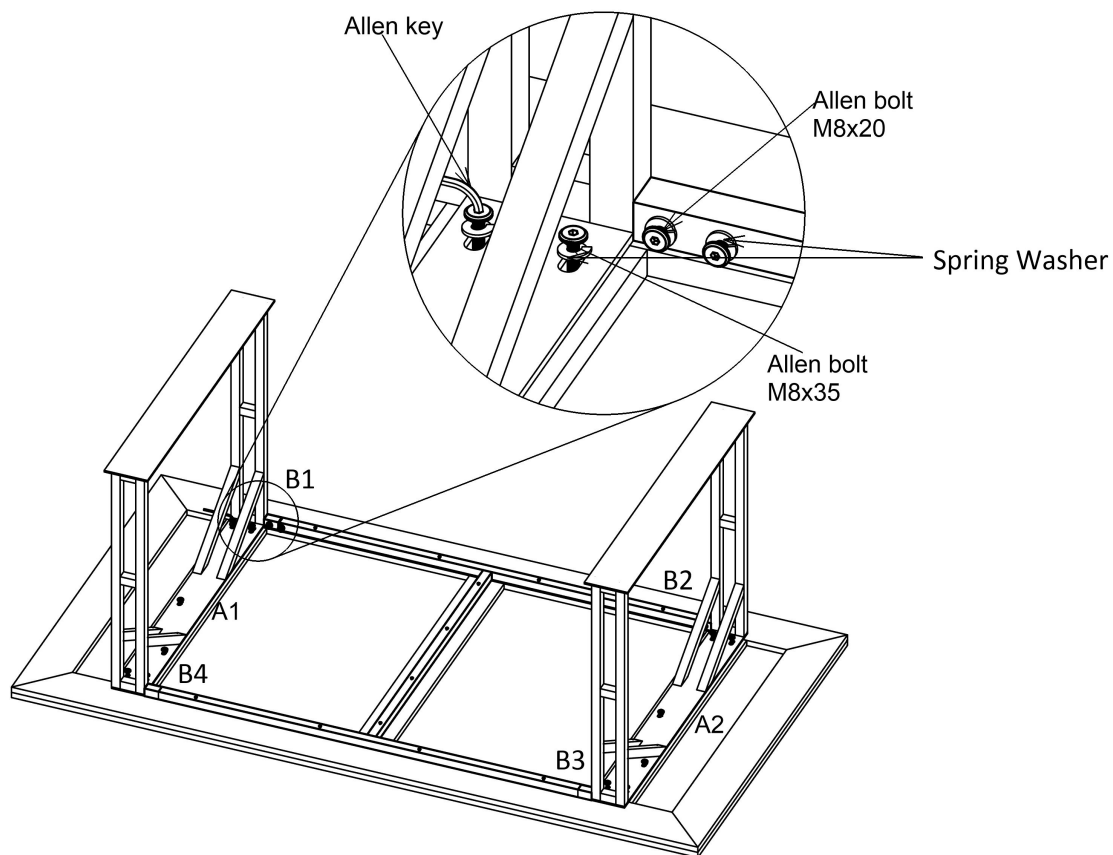


## STEP 01



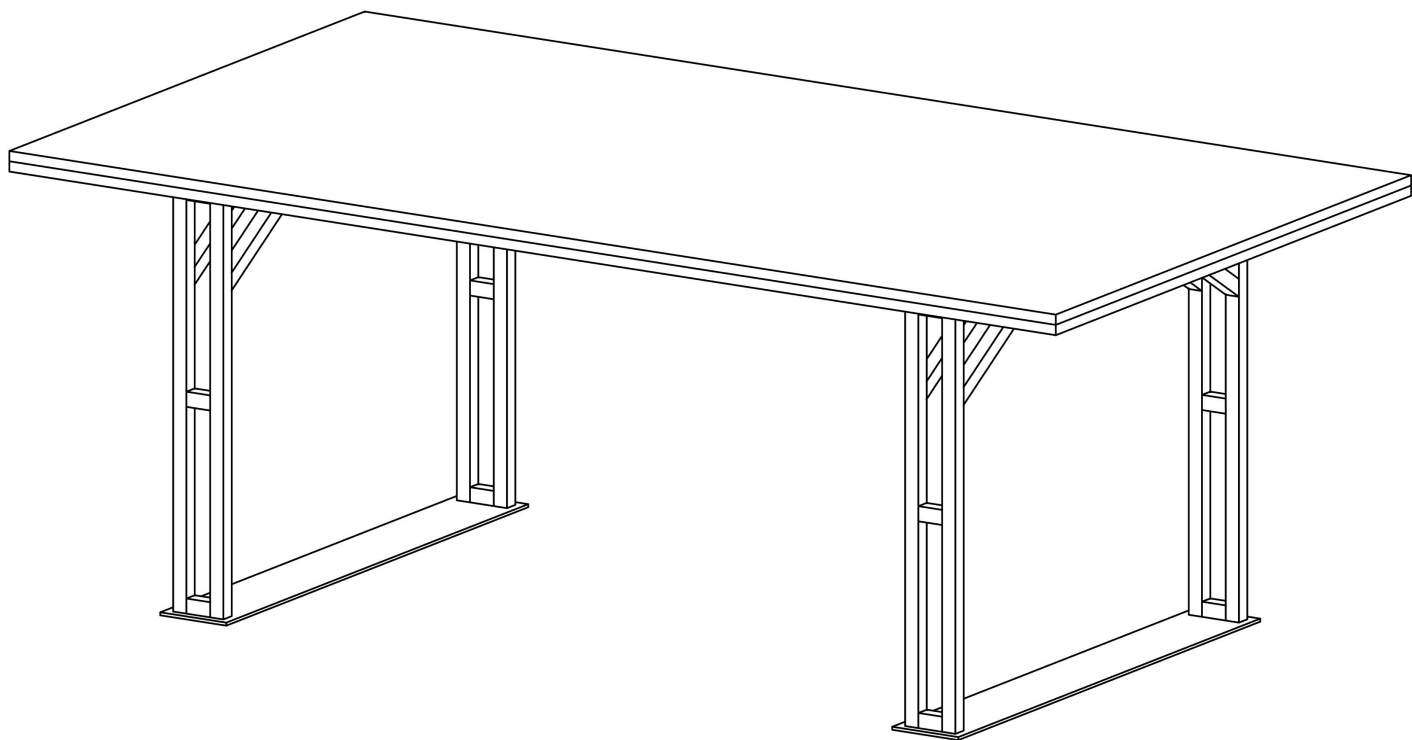
Flip the Part-A on carpet as shown in fig.

## STEP 02



Now fix Part-B with Part-A from allen bolt M8x35 mm at position A1,A2, and from allen bolt M8x20mm at position B1,B2,B3 and B4 including spring washer using allen key as shown in fig.

**STEP 03**



Flip the table and your table is ready to use.

## Wood Characteristics

Wood is a natural product and will be unique based on knots and wood grains. Environmental factors influence the wood's characteristics. Although knots and grains may be visible, they are not considered blemishes but proof of high quality and the individual nature of each piece.

Naturally, wood will expand and contract throughout the year and will acclimate itself to its environment in your home. This is completely normal and expected due to natural materials being used

## Caring for your furniture

- As a new piece in your home, its initial shade will vary based on batches. All wood surfaces will change color and mellow over time. Color and finish variances may be minimally visible based on the manufacturing process.
- Do not use abrasive cleaners on your product. Instead, use a dust cloth.
- Make sure to always use coasters, trivets and mats to avoid staining the woods surface.
- Avoid sharp items from touching or penetrating your furniture and recommend placing a mat under your paper when writing.
- Wipe up liquids immediately to avoid staining with an absorbent cloth.
- Periodically tighten bolts and screws as they may become loose over time.
- Do not attempt to lift heavy furniture by yourself, always ask for help.
- Avoid placing your item next to space heaters, radiators or any sources of fire as wood items may crack or split.
- When taken care of correctly, your hand-crafted furniture will last for years to come.