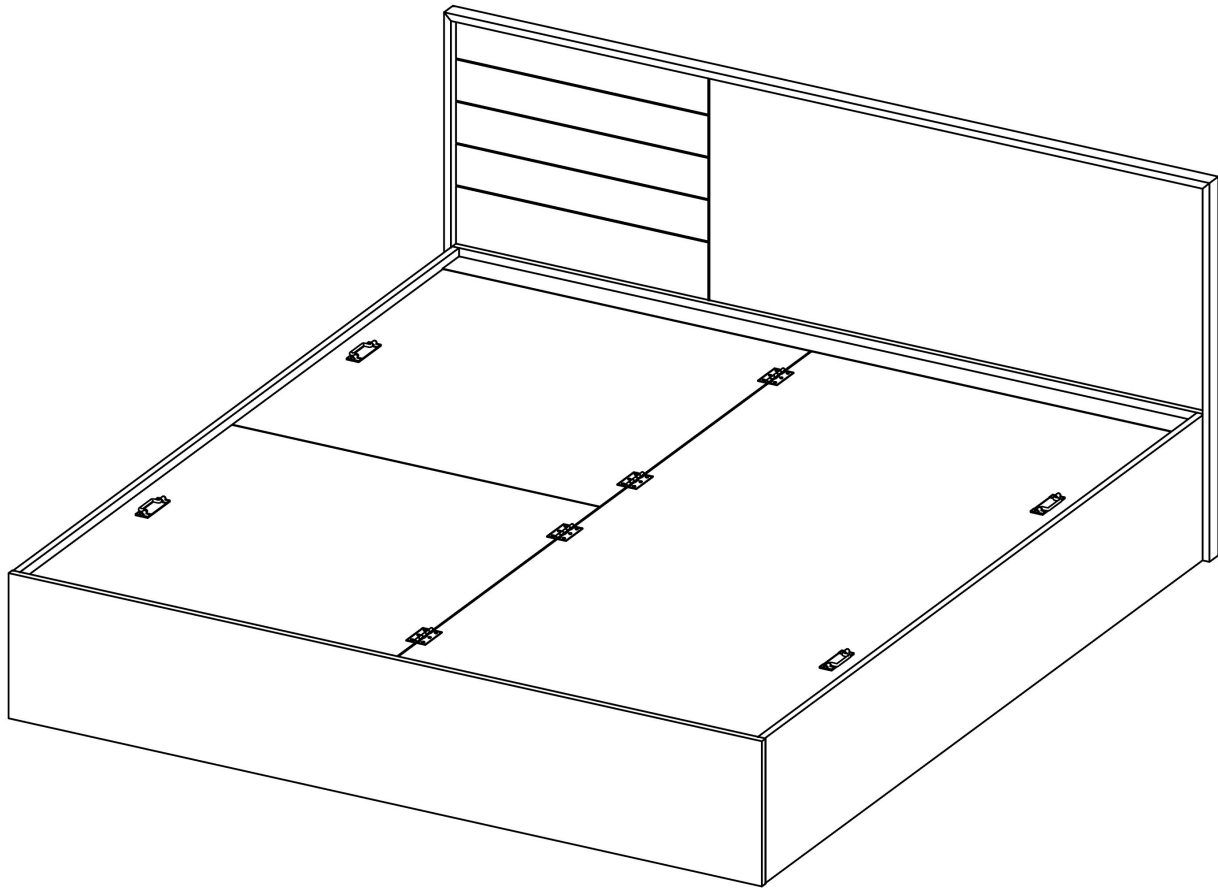


# ASSEMBLY INSTRUCTION



**EMMA BED WITH STORAGE(King size and Queen size)**

**PRODUCT CODE: HOBED00125  
HOBED00126**

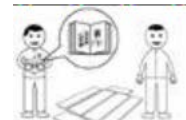
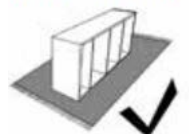
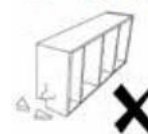
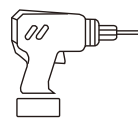
## ASSEMBLY RATING

The Assembly Rating is a 5-point system that shows the degree of effort needed in assembling a specific product (with 1 being easy and 5 being difficult).

For most products, two persons are recommended.

**EASY** ●●●○○ **DIFFICULT**

## Requirement for Assembly



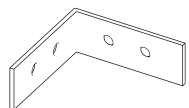
**2 PERSONS RECOMMENDED**

# HARDWARE DETAIL

# ASSEMBLED PRODUCT

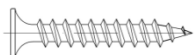
## HARDWARE

## QTY.



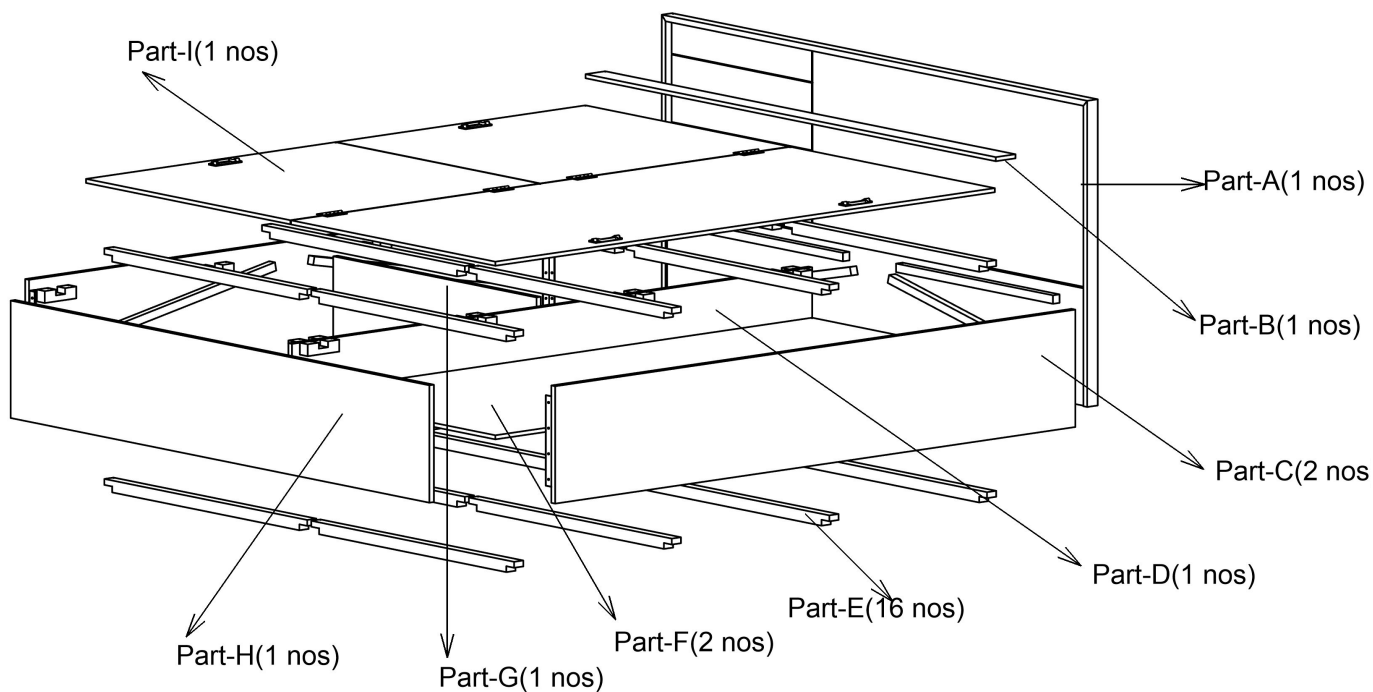
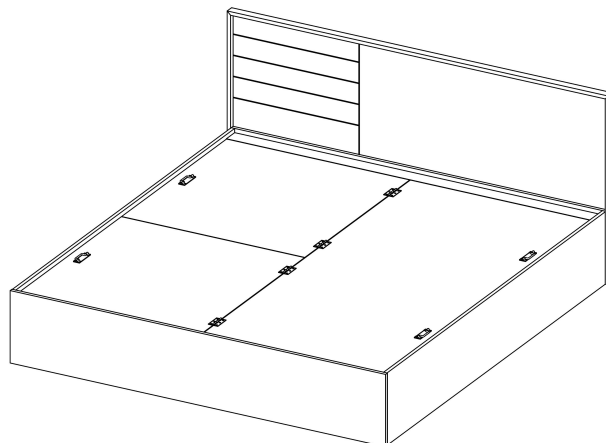
L-patti 40x40mm

8 nos

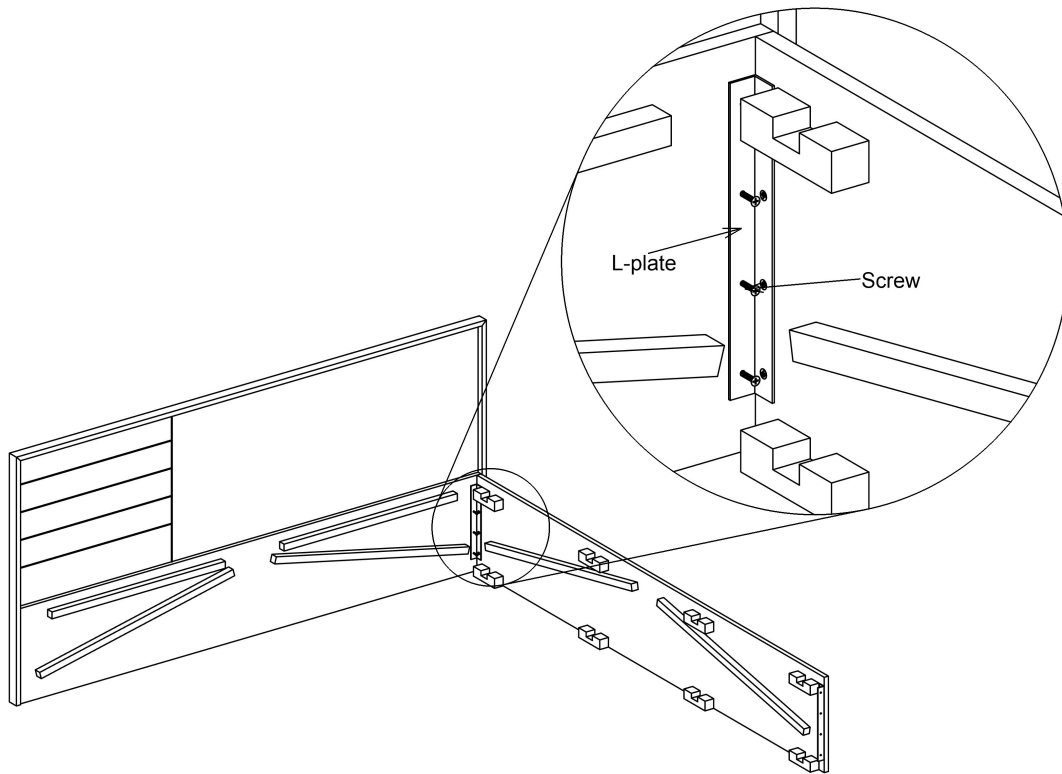


Screw 16 mm

48 nos

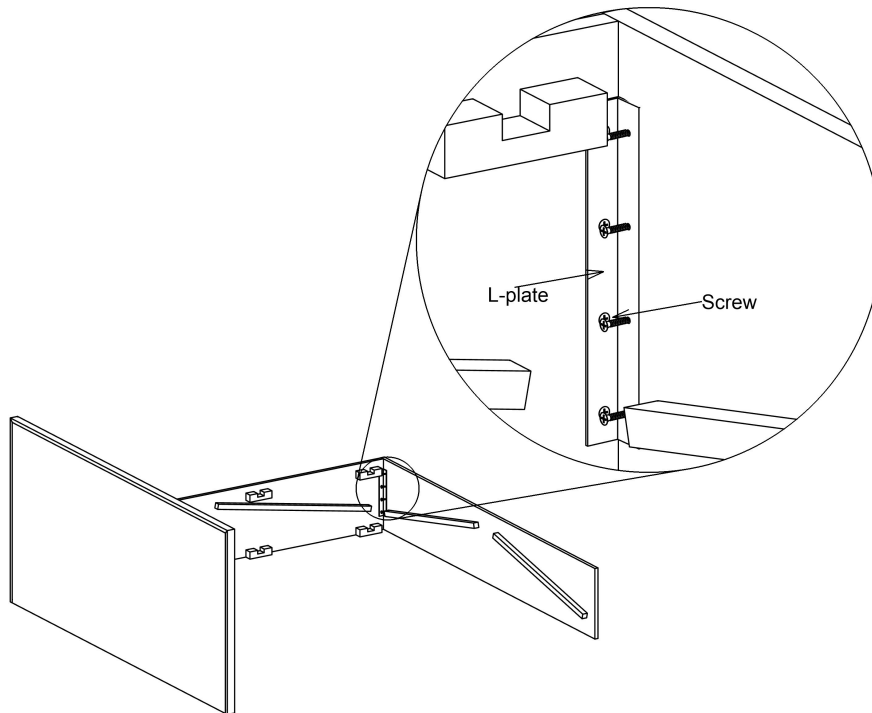


## STEP01



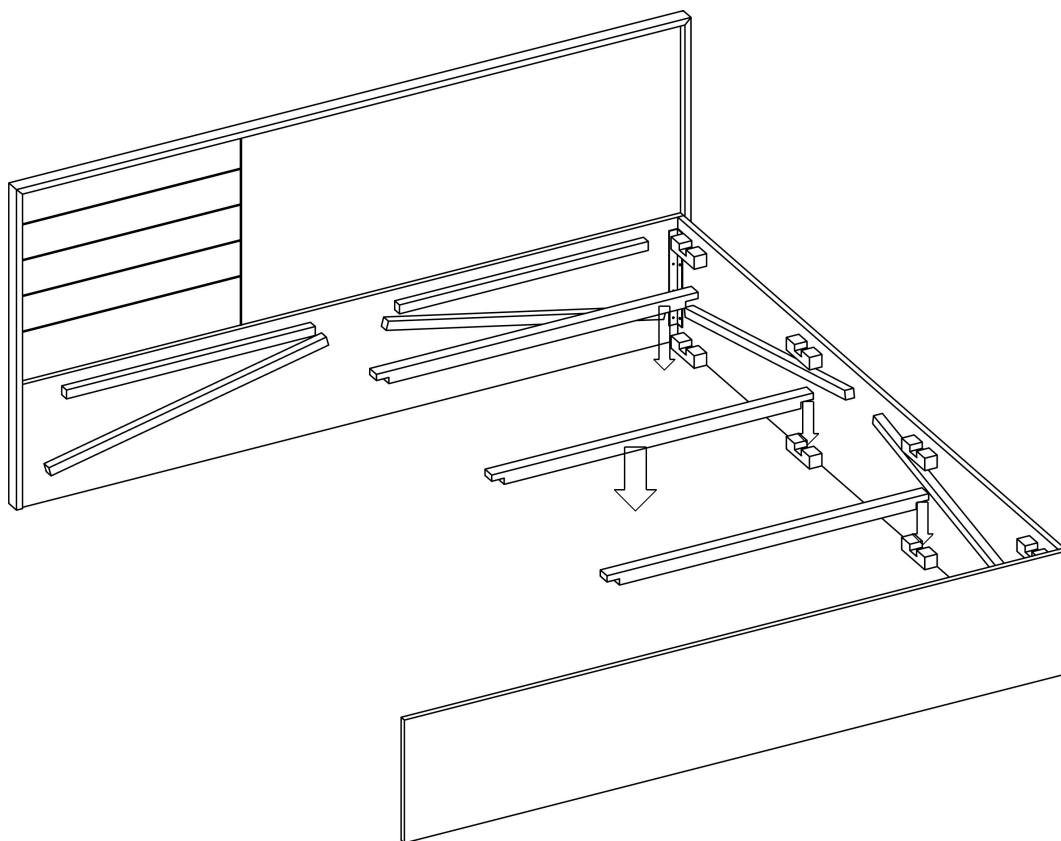
Fix the Part -A(Headboard)and Part-C(Sideboard) using L-plate with the help of Screw 16mm as shown in fig.

## STEP02



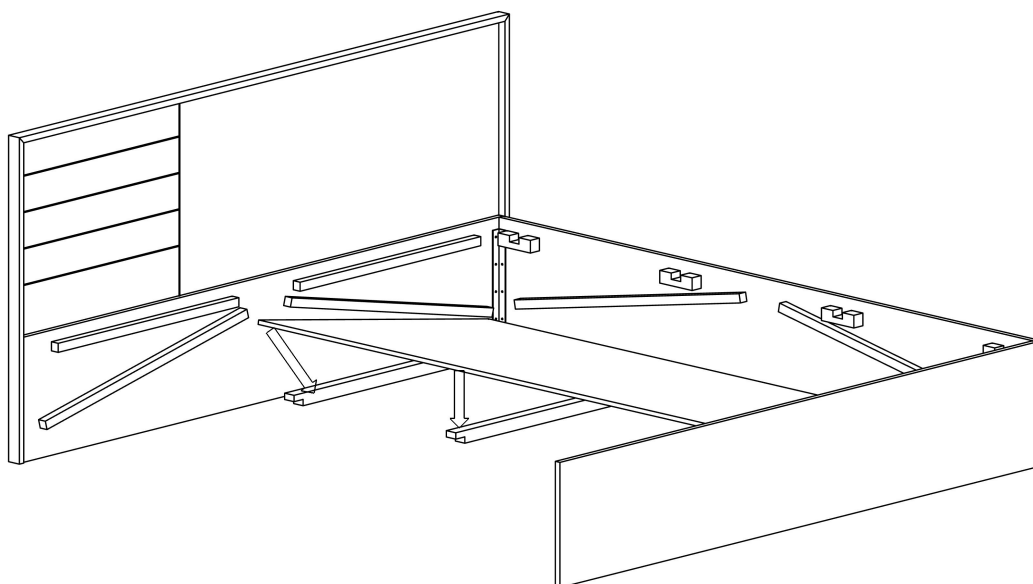
Fix the Part-H (Footboard part) and last assembled part with L-plate and screws as shown in fig.

### STEP03



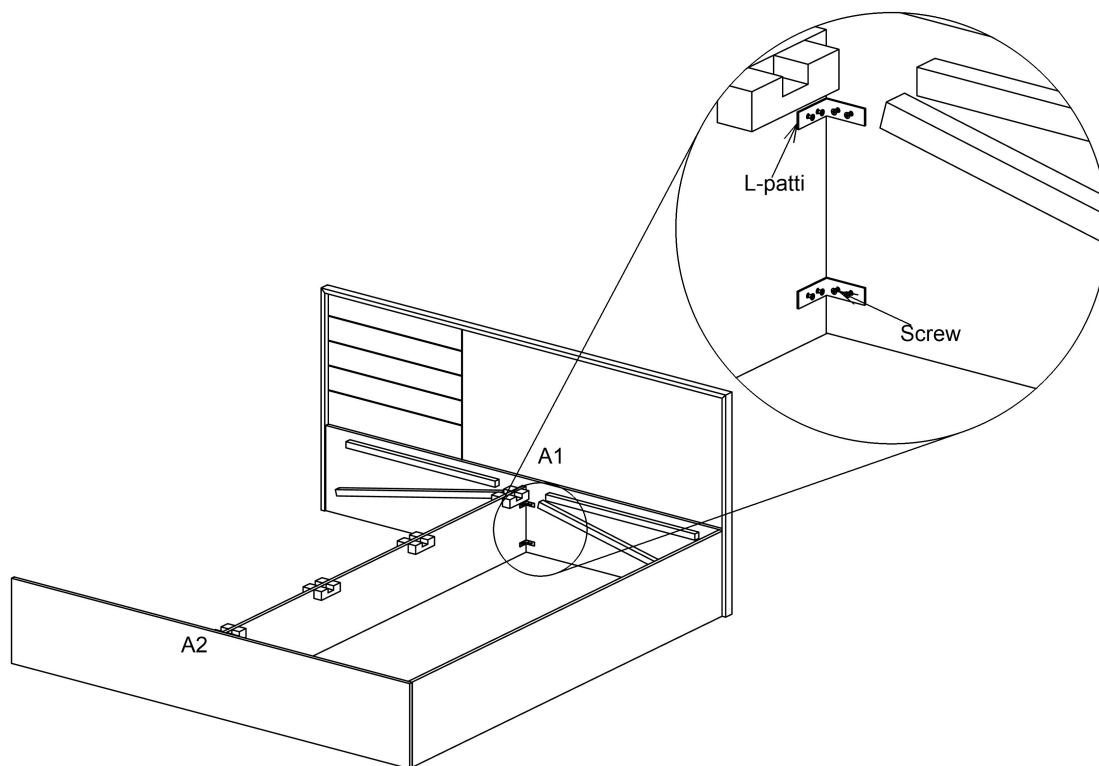
Now place Part-E (Battens) at bottom U-block as shown in Fig.

### STEP04



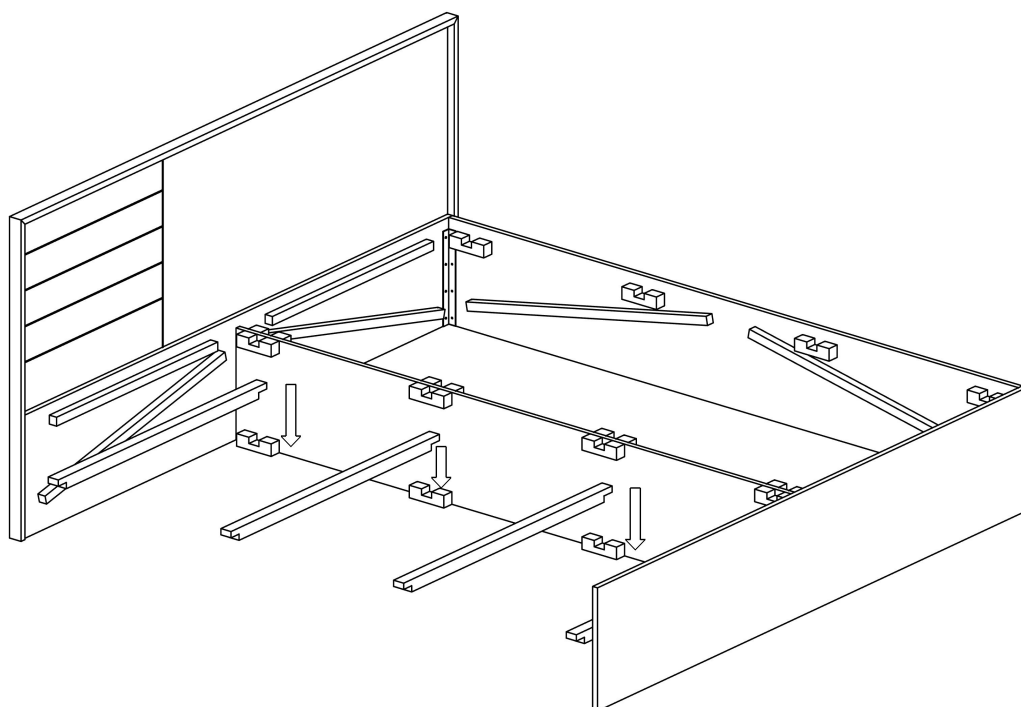
Now place Part-F(Bottom Panel) into last assembled part as shown in fig.

## STEP05



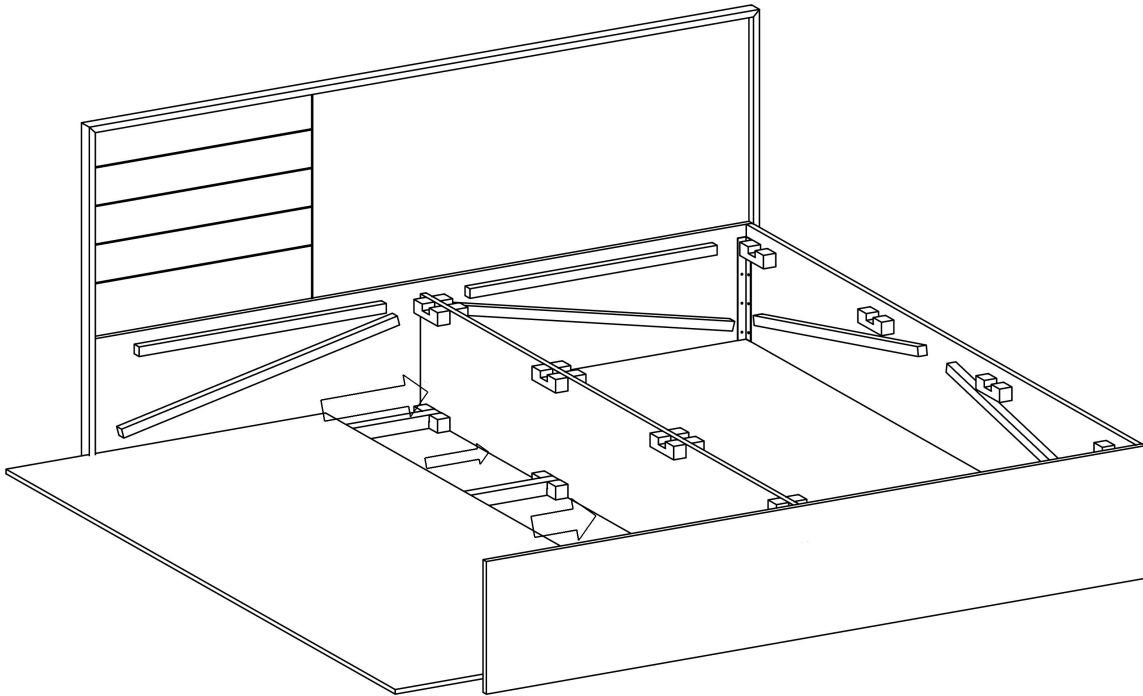
Now fix Part-D(Middle panel) with Part-A (Headboard) and Part-H(Footboard) by L-patti and screws 16mm at position A1 and A2 respectively as shown in fig.

## STEP06



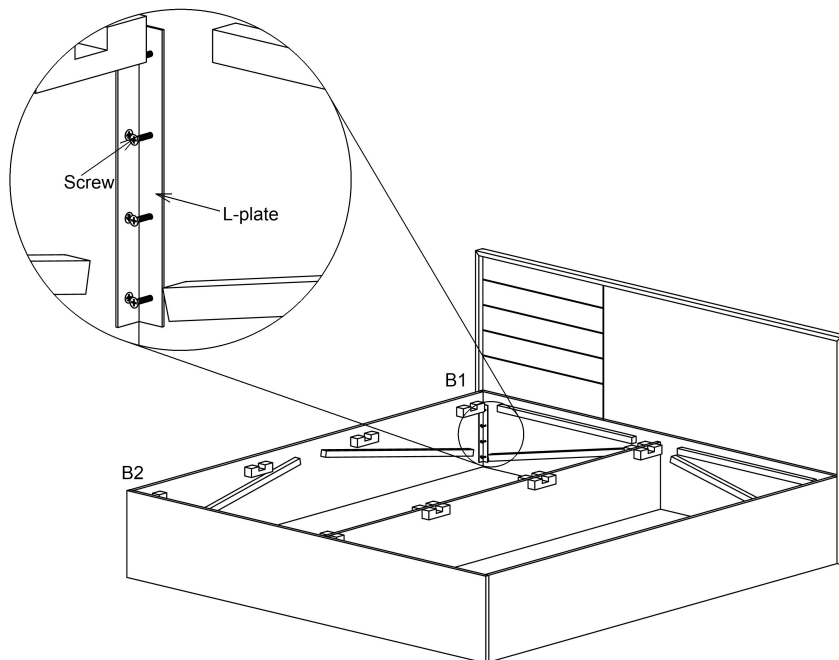
Now place Part-C (Battens) at bottom U-block as shown in Fig.

## STEP07

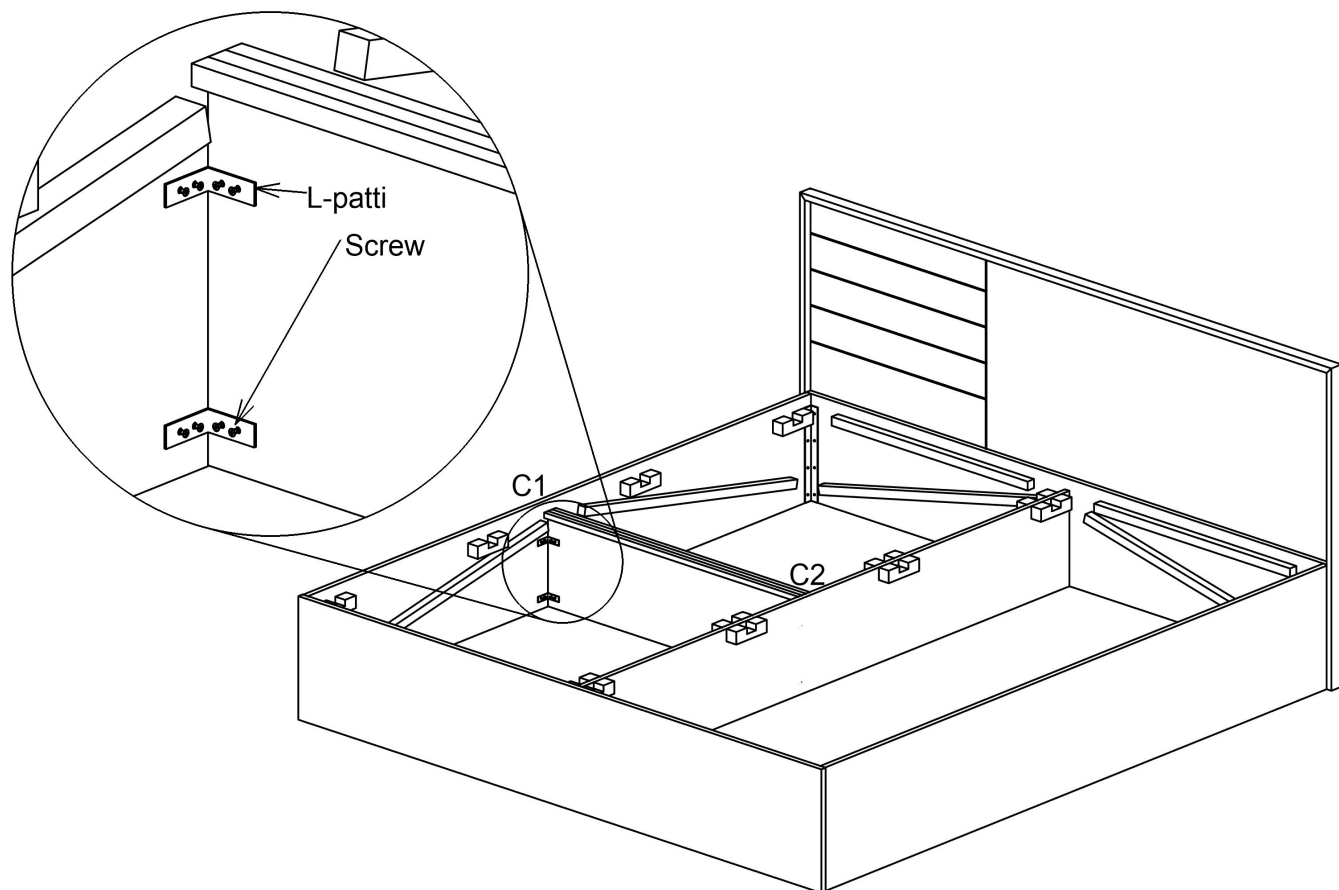


Now place Part-E(Bottom panel) into last assembled part as shown in fig.

## STEP08

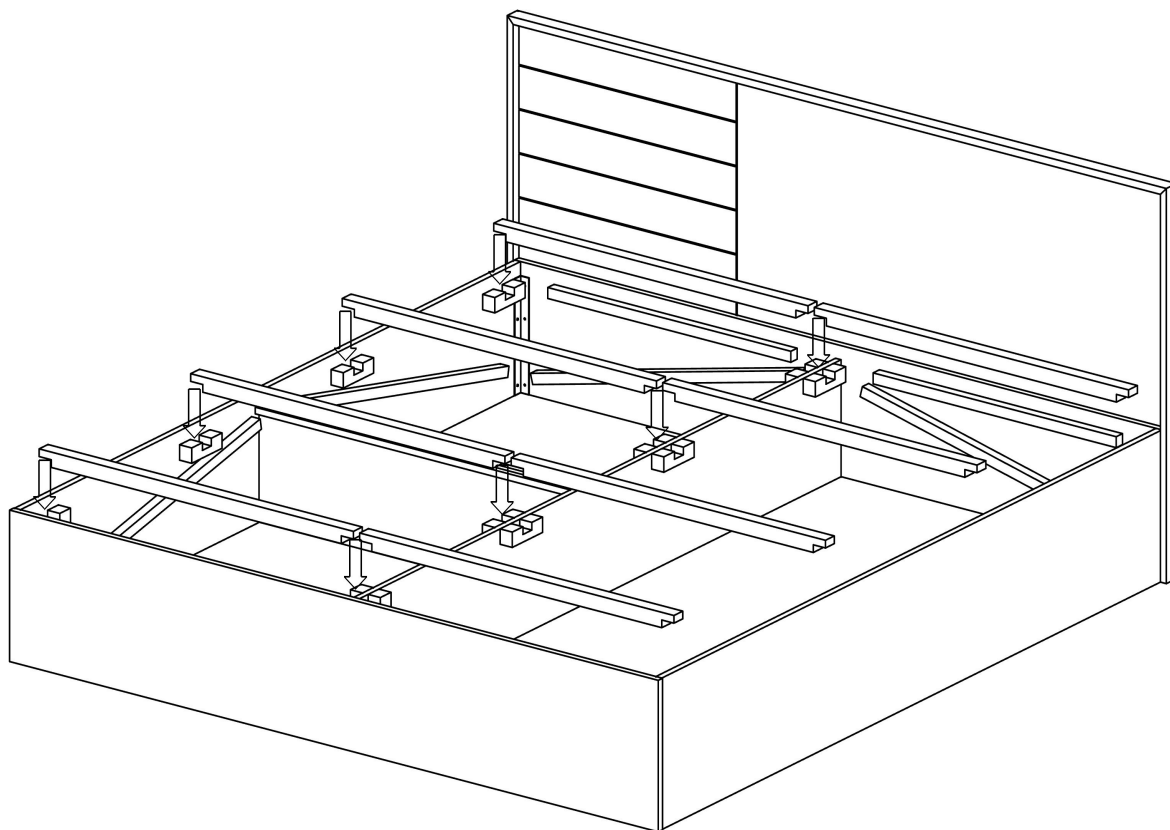


Now fix Part -C(Side panel) with Part-A (Headboard) and Part-H(Footboard) by L-plate and screws 16mm at position B1 and B2 respectively as shown in fig.



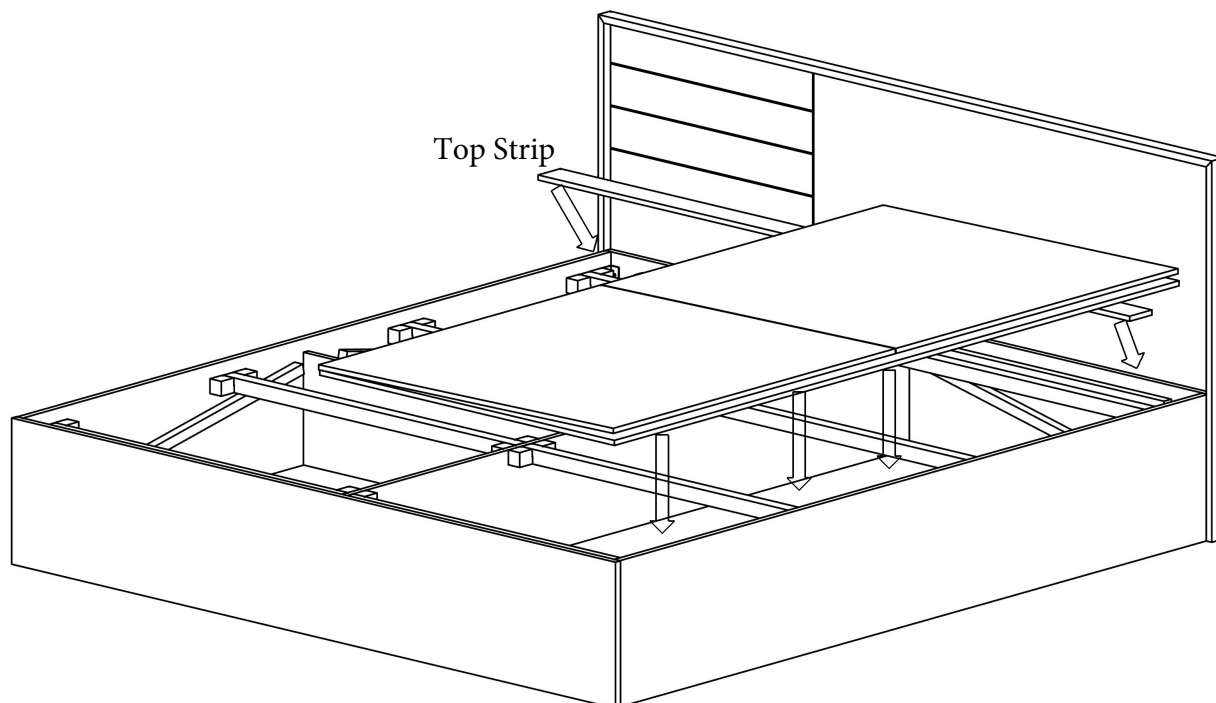
Now fix Part-G(middle partition) using L-patti and screws at position C1 and C2 as shown in fig.

STEP10



Now fix Part-E (Strips) at upper U-block as shown in Fig.

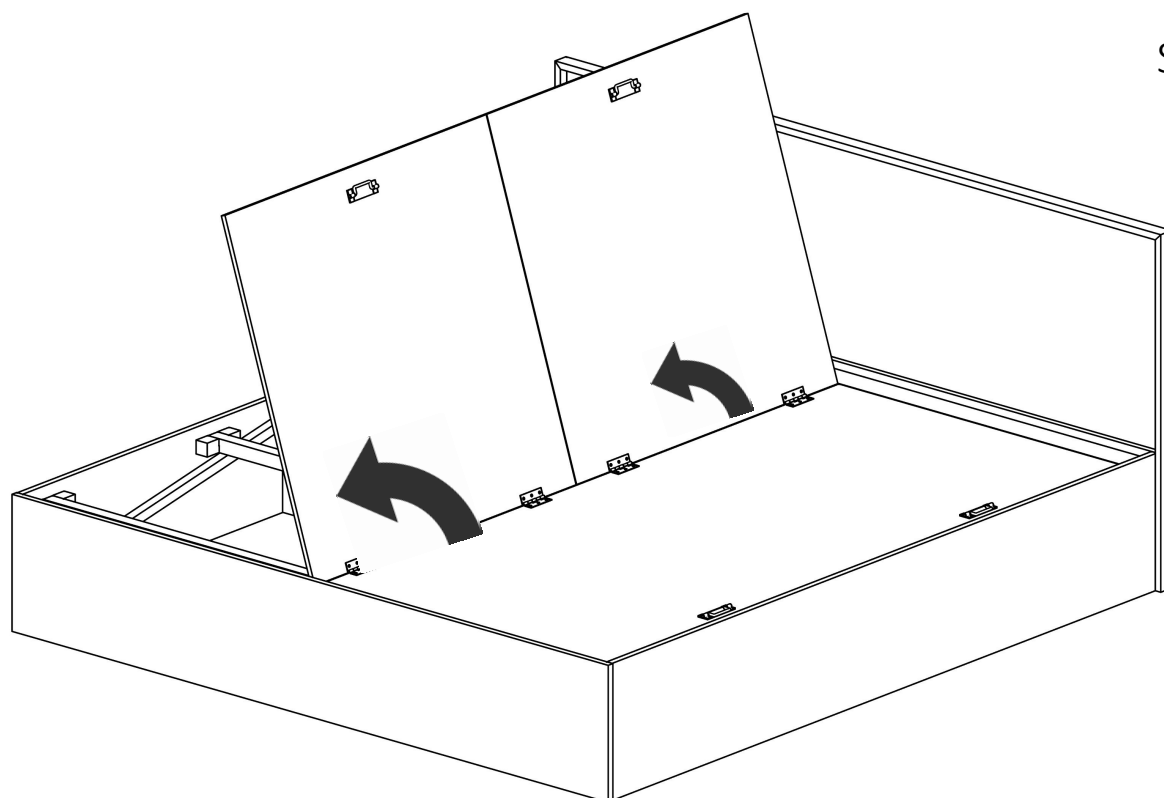
STEP11



Now place Part-B (Top strip) and Part-I (Top panel) at last assembled as shown in Fig.

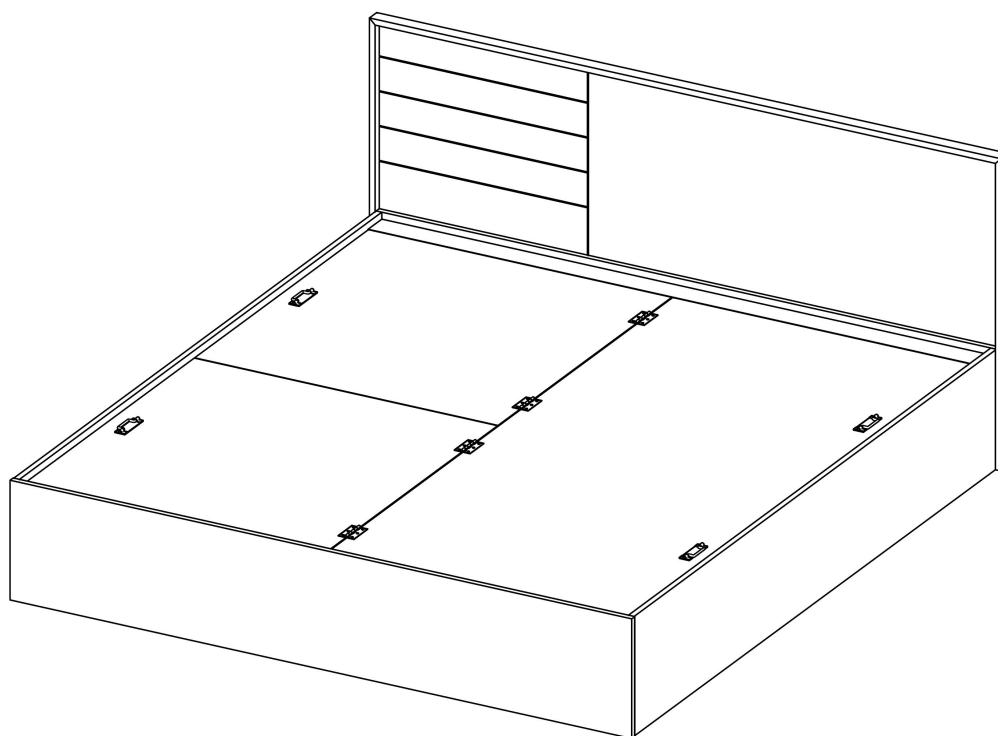


STEP12



Now rotate or open Part-I (Top panel) towards left as shown in Fig.

STEP13



Your Bed is ready.

Thank you for your purchase!

We hope you will enjoy your new product for many years to come. Our commitment to providing quality products does not simply end when a purchase is made. We stand behind our products and will provide any support needed in order for you to fully enjoy your purchase. Your satisfaction is the greatest recognition we could have.

Because we value your trust in our company, we will do our best to meet your service expectations. Should you have any assembly related questions, parts replacement requests, comments or suggestions, please feel free to contact us any time. To help expedite the service, please have the assembly instructions available, along with your order receipt.

Note :

Do not dispose of any packaging or contents of the shipping carton until assembly is completed to avoid accidentally discarding small parts or hardware.

## **CARE INSTRUCTIONS**

### **Clean**

Dust off with a soft, dry cloth and vacuum your upholstery regularly

For wiping, use a mild cleansing agent. On surfaces, do not use harsh agents which contain ammonia or bleach.

Don't forget to give your cushions a good shake every week or so to help them keep their shape.

For a full cleanse of upholstered furniture, we recommend professional cleaning by a certified company that can come to your home.

If your design has removable covers you can take it along to your local dry cleaner.

### **Stains**

Take care of spills immediately. Absorb the spill with a clean white cloth or paper towel. Gently dab the surface and lift the stains.

For linen and cotton-blend fabrics that are more heavily dyed, bear in mind that spot cleaning may lift the dye leaving a lighter patch.

In the case of fabrics such as Velvet, be sure to never scrub the fabric harshly. Velvet, is very sensitive to liquids and should be kept dry at all times. It should be professionally dry-cleaned only.

If you spill on a Leatherette surface, the best thing to do is wipe up the spill immediately using a damp cotton or wool cloth and then dry using a clean soft cloth.

In some cases you may not be able to remove a stain by simply wiping the leatherette with warm water. In these cases you will need to use a soap and water mixture. In a small bowl, combine warm water with a tablespoon of mild dish soap or hand soap and wipe the stained area with a soft cotton cloth using the soap mixture.

After you have wiped the entire surface with soapy water, take a new cloth and dip it in a bowl of plain water. This will help to rinse away any soap that remains on the leatherette. Once the leatherette has been rinsed, use a clean dry cloth to dry the surface. Dab the cloth over the entire surface until it is completely dry.

Note : You can use a cotton-swab to clean hard-to-reach areas instead of a dry cloth.

### **Avoid**

Keep the furniture away from direct sunlight and away from heat sources; excessive exposure to sunlight may fade the colour of the upholstery.

Avoid placing heavy or sharp objects on the furniture surface for long periods of time; this can cause permanent indentations on the fabric.

To protect furniture from moisture, avoid placing the furniture in direct contact with damp walls. In case of contact, wipe the furniture promptly with a dry, soft and lint-free cloth.